

ELERO ECT DETECTION SENSOR



About the Solution

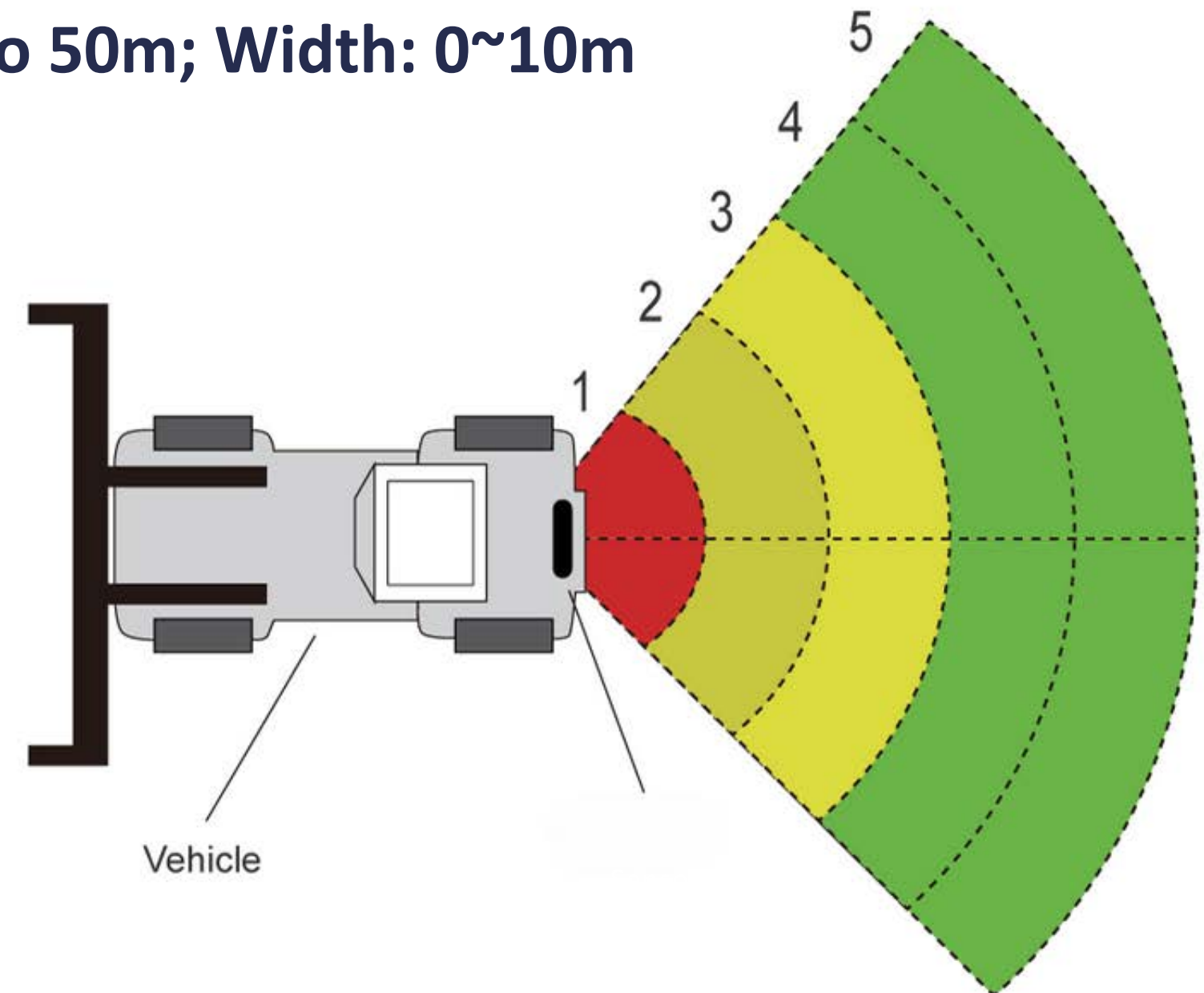


- **Detection Radar based on 77Ghz radar technology is specially designed to detect pedestrians, vehicles, and objects in rear blind spots of commercial vehicles, effectively reducing accidents.**
- **It can identify motionless and moving objects, providing the driver with in- cab visual and audible warnings – alerting the operator whose attention can not be focused on all danger areas.**
- **Object Detection Radar works effectively in harsh and in poor visibility environments including darkness, heavy dust, smoke, and fog.**



FEATURES

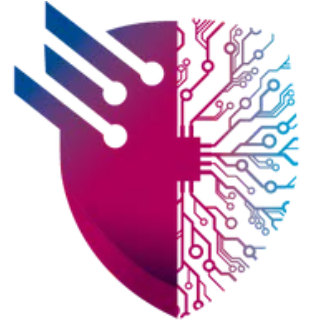
- **CAN communication: fast signal transmission and strong anti-interference ability**
- **External output: trigger other warning devices**
- **Self-diagnosis alert to the driver**
- **Detection length and width settable: Length: from 0 to 50m; Width: 0~10m**
- **Suitable for both on and off-road applications**
- **Excellent small blind zone to 20cm**
- **High volume 90dB for noisy working environment**
- **Flexible radar installation angle adjust**
- **Identify motion or motionless objects**
- **Handheld setup tool to adjust detection area freely**



SYSTEM SPECIFICATIONS



APPLICATION



This solution is designed for all types of MHE.



Get In Touch

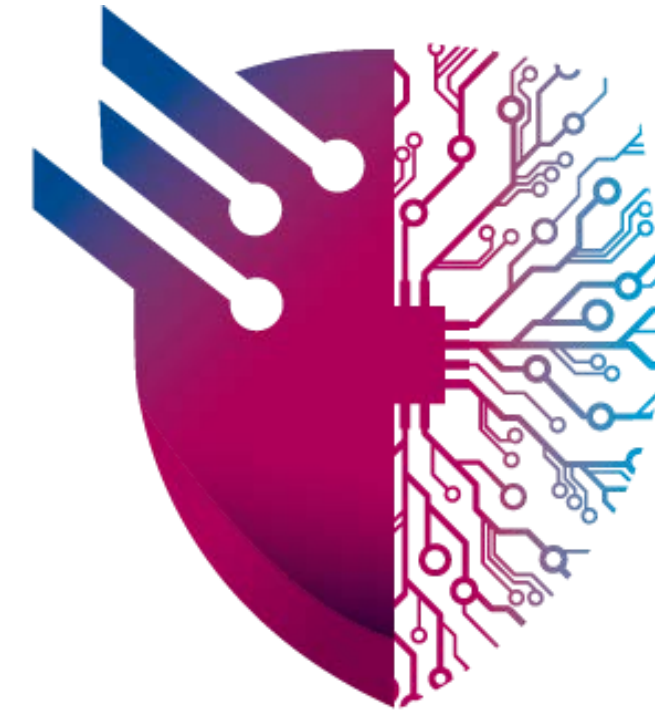
We are here for you!

 **+20 103 200 9855 / +20 107 097 7935**

 **<https://elero-ect.com/>**

 **Info@elero-ect.com**

 **417 Omar Ibn El-Khattab St.
District 2, 6th October, Giza, Egypt.**



ELERO
Engineering Consulting & Training